

Panasonic[®]

The New Visual Communication Tool from Panasonic, the

- Video Conference via Internet or Telephone
- Create Video E-Mail
- Take High Resolution Still Pictures

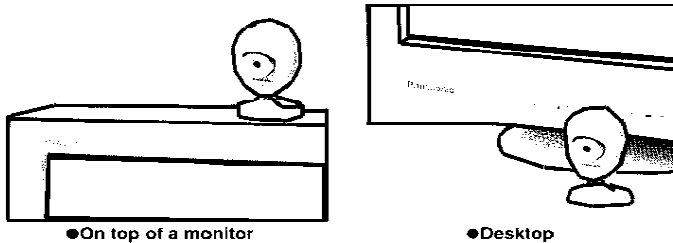
NTSC

PC Color Camera GP-KR001

Special features

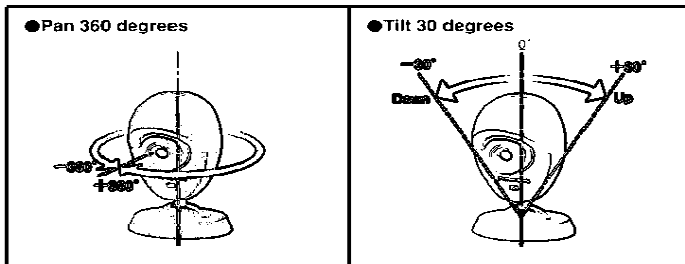
1 Compact and Easy to Use

The Panasonic GP-KR001 is compact and easy to use. GP-KR001 can be easily positioned on the desktop or on top of a monitor without taking up valuable space.



2 360° of Flexibility

GP-KR001's flexible base let's you control the angle. Pan 360° or tilt 30°.



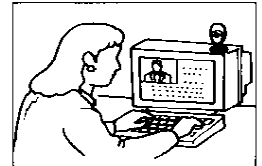
3 Automatic Exposure

GP-KR001 automatically adjust to varying degrees of light from 40 lux to 10,000 lux.

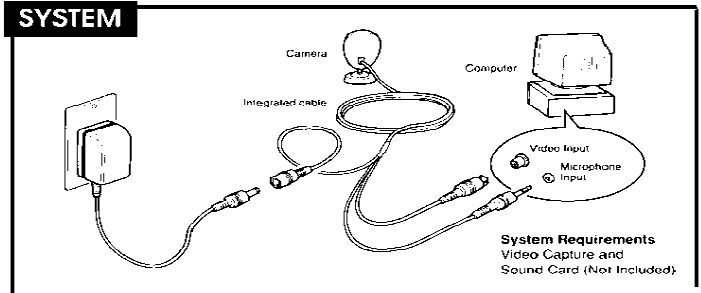
4 Great for Business and Personal Applications

■Video Conference or Video Telephone Use

Video Conferencing provides a "you are there" feeling. And with the Panasonic GP-KR001, you can communicate more effectively with colleagues and customers. Demonstrate products, share ideas or see and talk with family and friends face-to-face.



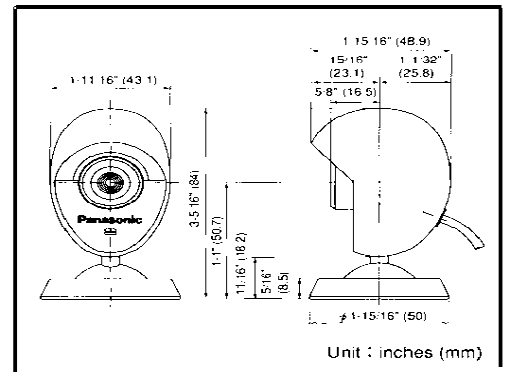
GP-KR001 puts you in touch with people even when they are located in another city, state or country.



SPECIFICATIONS

Lens		Power required	
Focal length	4.6 mm	Voltage	DC 6 V
F-Stop	1 : 2.8	Current	160 mA
Focus	Manual 100 mm to infinity	Cable & Connectors	
View angle (horizontal)	45 degrees	DC input	4.4 mm diameter
Pick-up system	45 degrees	Video output	RCA type pin plug
Image device	1/4-inch CCD	Microphone output	Plug 3.6 mm diameter
Number of Pixels	Effective: Approx. 250,000 512 (H) X 482 (V) Total: Approx. 270,000 542 (H) X 496 (V)	Cable length	1.8 m (Steel 10inches)
Sensitivity		General	
Recommended illumination	40 lux to 10,000 Lux	Ambient temperature	5°C to 35°C
Video output signals		Ambient humidity	40 % to 90 %
Standard	NTSC	Weight	60 g (0.13 lbs.)
Impedance	75 Ω	Size	84 (H) X 50 X (W) X 51 (D) mm
Level	1.0 V (p-p)	Tilt angle	±30 degrees
Signal to noise ratio	40 dB (AGC Off equivalent)	Pan angle	±360 degrees
Horizontal resolution	330 lines (at center)	Tilt angle	±30 degrees
White balance	Automatic	AC adapter	
Microphone		Input voltage	AC 120 V
Impedance	Low impedance	Output voltage	DC 6 V
Directivity	Omni-directional		
Operation voltage	DC 2 V typical, DC 10 V maximum		

APPEARANCE



●Weights and dimensions are approximate. ●Specifications are subject to change without notice. ●These products may be subject to export control regulations.

DISTRIBUTED BY:



Panasonic Computer Peripheral Company
Division of Panasonic Communications
& Systems Company
Unit of Matsushita Electric Corporation of America
Two Panasonic Way, Secaucus, New Jersey 07094